

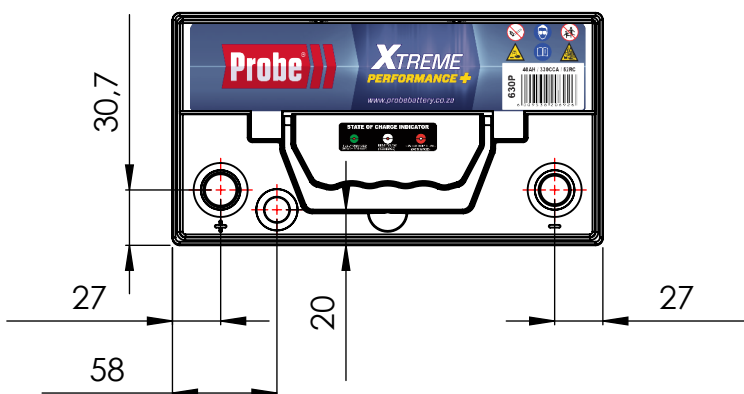
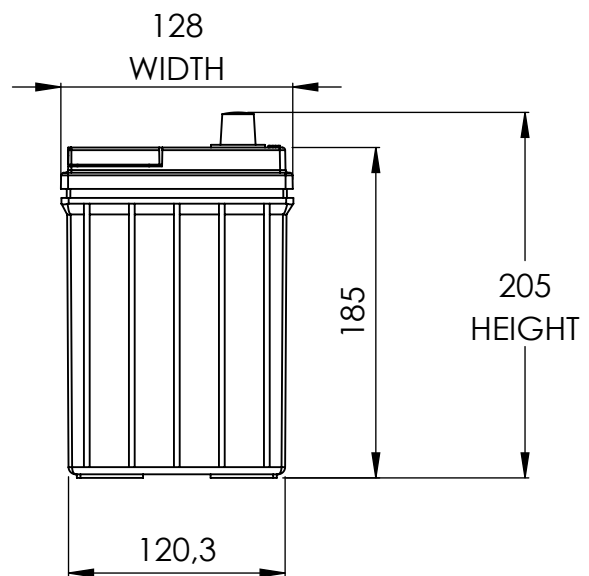


**MODEL:** 630P  
**TECHNOLOGY:** Lead Acid Battery  
**DIMENSIONS:** mm  
**COLOR:** Black  
**WET WEIGHT:** 10,90 kg  
**MATERIAL:** Polypropylene (PP)  
**DIMENSIONS (LxWxH) mm:** 237 x 128 x 205



**SPECIFICATIONS**

NOMINAL VOLTAGE	PERFORMANCE			BCI GROUP
	C20 (Ah) CAPACITY (Ah)	CCA (A) SAE -18°C COLD CRANKING (A) SAE -18°C	RC (MINUTES) RESERVE CAPACITY	
12V	40	360	52	51N



TERMINAL	
TERMINAL TYPE	
1	1
<p>18 ±1            Ø 19,5 ±0,3</p>	<p>18 ±1            Ø 17,9 ±0,3</p>
POSITIVE TERMINAL CONICITY 1:9	NEGATIVE TERMINAL CONICITY 1:9
RECOMMENDED TORQUE: 8 - 10 N.m	



**PROBE CORPORATION SA**  
 245 Albert Amon Road, Meadowdale, Germiston 1614  
 Tel: +27 (0) 11 453 0924 | E-mail: probe@probegroup.co.za | Website: www.probegroup.co.za